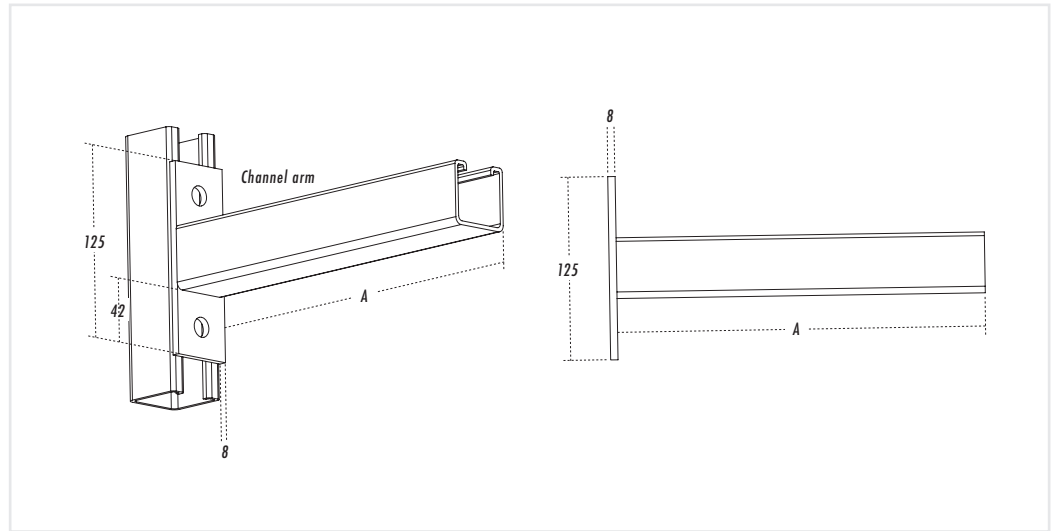


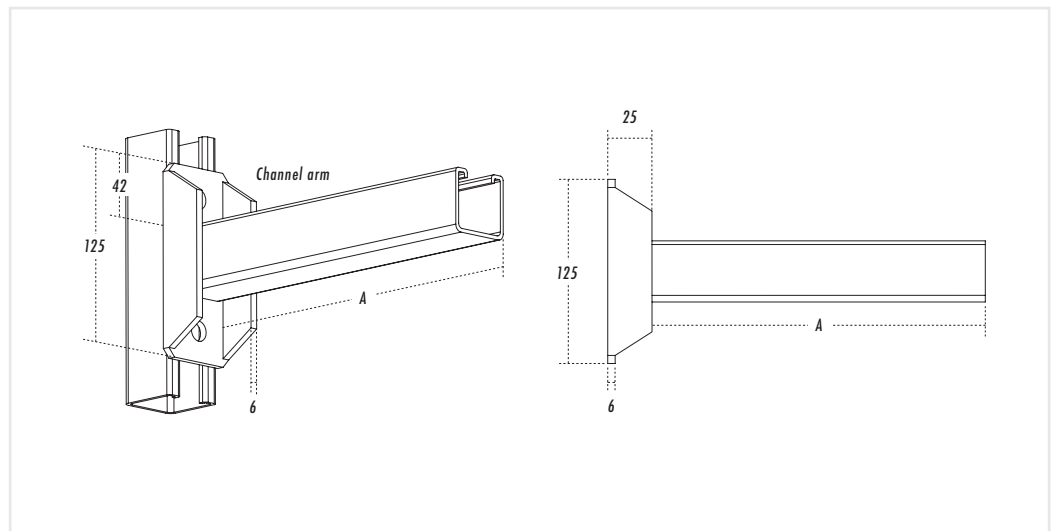


## Cantilever Arms 懸臂配件



K2663

Part No.	A mm	Recommended UDL kgf for vertical channel UC 4141	Weight each kg
K2663 / 150	150	680	0.80
K2663 / 300	300	356	1.17
K2663 / 450	450	240	1.59
K2663 / 600	600	181	2.03
K2663 / 750	750	143	2.53



K2664

Part No.	A mm	Recommended UDL kgf for vertical channel UC 4141	Weight each kg
K2664 / 150	150	680	0.91
K2664 / 300	300	475	1.40
K2664 / 450	450	300	1.69
K2664 / 600	600	225	2.23
K2664 / 750	750	180	2.58

**Fitting specification (unless noted):**

Holes : 13mm diameter

Hole spacing : 20mm from end and 48mm on center;

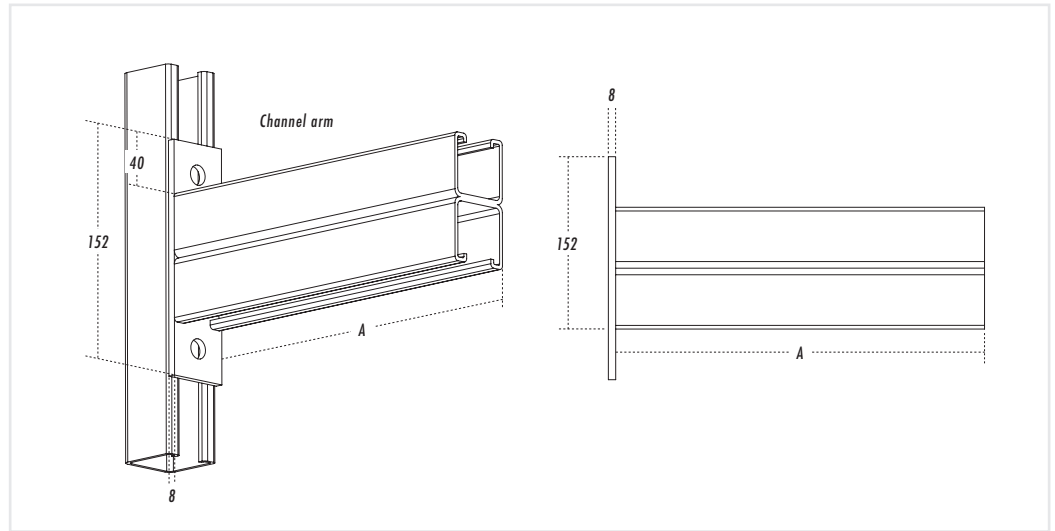
Width : 40mm;

Thickness 5mm (Order hardware separately)

Standard Finishes: GI / HDG / SS304 / SS316 / EP / PC

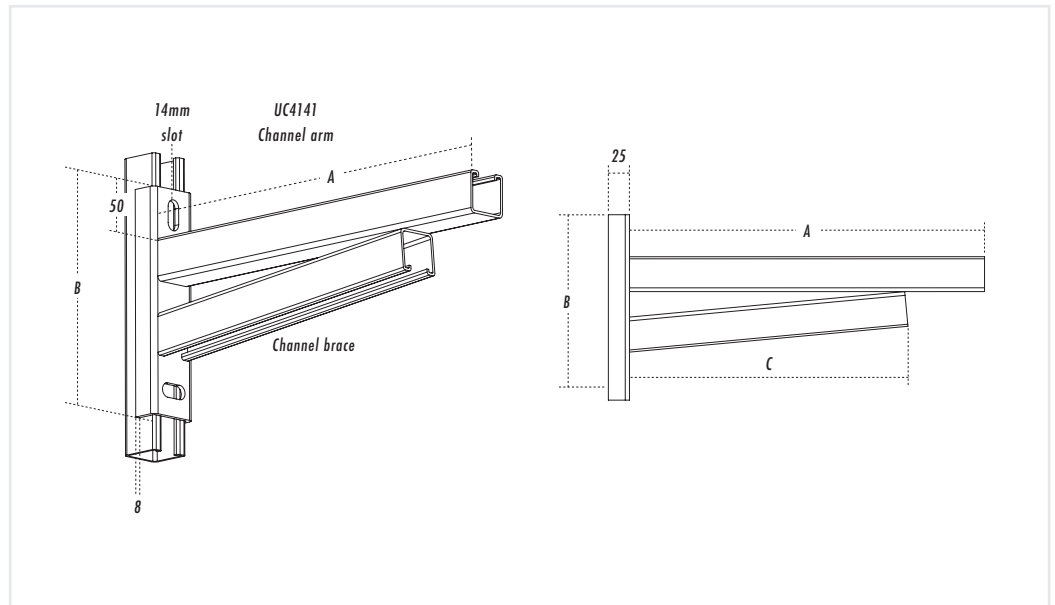


## Cantilever Arms 懸臂配件



K2665

Part No.	A mm	Recommended UDL kgf for vertical channel UCD 4141	Weight each kg
K2665 / 300	300	609	2.13
K2665 / 450	450	410	2.31
K2665 / 600	600	309	3.72
K2665 / 750	750	248	4.66



K2666

Part No.	A mm	B mm	C mm	Recommended UDL kgf for vertical channel UC 4141	Weight each kg
K2666 / 700	700	270	585	460	4.63
K2666 / 900	900	330	748	460	4.78
K2666 / 1050	1050	380	906	460	5.67

**Fitting specification (unless noted):**

Holes : 13mm diameter

Hole spacing : 20mm from end and 48mm on center;

Width : 40mm;

Thickness 5mm (Order hardware separately)

Standard Finishes: GI / HDG / SS304 /

SS316 / EP / PC